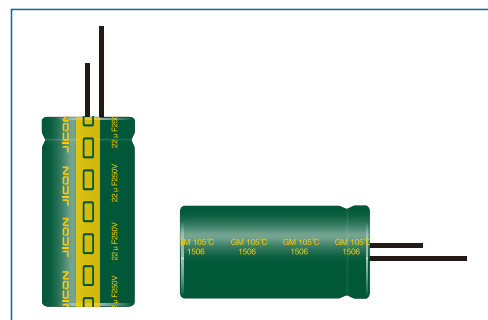


GM 系列 SERIES

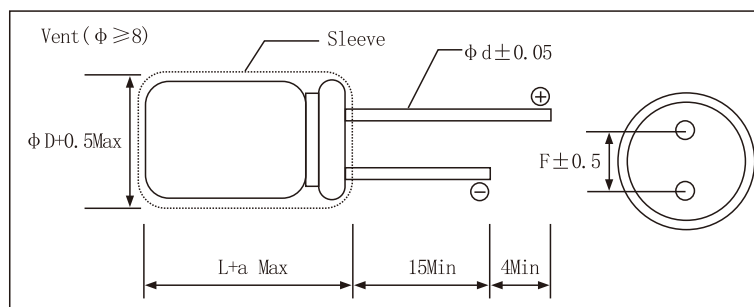
- 5000h at 105°C
- High Ripple Current
- Suited for ballast and energy-saved lamp application of which high temperature and high reliability are required
- High Reliability



◆ SPECIFICATION

Items	Characteristics															
Operating Temperature Range(°C)	-40~+105°C	-25~+105°C														
Voltage range (V)	160~250V	350~450V														
Capacitance Range (μF)	1~330 μF															
Capacitance Tolerance	±20% (at 20°C, 120Hz)															
leakage current (μA)	After 2 minute at 20°C application of rated voltagee , leakag current is not more than 0.02CV+10 (450wv, I≤0.03CV+10). C:Nominal Capacitance (μF) V :Rated Voltage (V)															
Dissipation Factor(Tan δ)	<table border="1"> <thead> <tr> <th>WV(V)</th> <th>160</th> <th>200</th> <th>250</th> <th>350</th> <th>400</th> <th>450</th> </tr> </thead> <tbody> <tr> <td>Tan δ (max)</td> <td>0.12</td> <td>0.12</td> <td>0.12</td> <td>0.15</td> <td>0.15</td> <td>0.15</td> </tr> </tbody> </table> <p>(at 20°C, 120Hz)</p>		WV(V)	160	200	250	350	400	450	Tan δ (max)	0.12	0.12	0.12	0.15	0.15	0.15
WV(V)	160	200	250	350	400	450										
Tan δ (max)	0.12	0.12	0.12	0.15	0.15	0.15										
Load Life	<p>The following specifications shall be satisfied when the capacitors are restored to 20°C after subjected to DC voltage with the rated rippled current is applied for 5000 hours at 105°C</p> <table border="1"> <tbody> <tr> <td>Capacitance change</td> <td>Within ±20%initial value</td> </tr> <tr> <td>D. F. (Tan δ)</td> <td>Not more than 200% of specified value</td> </tr> <tr> <td>leakage current</td> <td>Not more than specified value</td> </tr> </tbody> </table>		Capacitance change	Within ±20%initial value	D. F. (Tan δ)	Not more than 200% of specified value	leakage current	Not more than specified value								
Capacitance change	Within ±20%initial value															
D. F. (Tan δ)	Not more than 200% of specified value															
leakage current	Not more than specified value															
Shelf Life	<p>The following specifications shall be satisfied when the capacitors are restored to 20°C after exposing them for 1,000 hours at 105°Cwithout voltage applied .Before the measurement ,the capacitor shall be preconditioned by applying voltage according to Item 4.1 of JIS C 5101-4.</p> <table border="1"> <tbody> <tr> <td>Capacitance change</td> <td>Within ±20%initial value</td> </tr> <tr> <td>D. F. (Tan δ)</td> <td>Not more than 200% of specified value</td> </tr> <tr> <td>leakage current</td> <td>Not more than specified value</td> </tr> </tbody> </table>		Capacitance change	Within ±20%initial value	D. F. (Tan δ)	Not more than 200% of specified value	leakage current	Not more than specified value								
Capacitance change	Within ±20%initial value															
D. F. (Tan δ)	Not more than 200% of specified value															
leakage current	Not more than specified value															

◆ DIMENSIONS(mm)



◆ Temperature Coefficient

Temperature (°C)	+70	+85	+105
Coefficient	1.70	1.40	1.00

◆ Frequency Coefficient

∅D	6.3	8	10	12.5	16	18
∅d	0.5	0.6	0.6	0.6	0.8	0.8
F	2.5	3.5	5.0	5.0	7.5	7.5
∅D'	∅D+0.5max.					
L'	L+2max.					

Wv (Vdc)	Freq (Hz)			
	120	1k	10k	100k
160~250V	0.55	0.85	0.90	1.00
350~450V	0.50	0.80	0.90	1.00

GM 系列 SERIES

◆ STANDARD RATINGS

UR (Surge Voltage) Code	Rated Capacitance	Rated Ripple Current 105°C 100kHz	Size φ D×L
(V)	(μF)	(mA rms)	(mm)
160 (200) 2C	1	40	6.3×12
	2.2	60	6.3×12
	3.3	72	8×12
	4.7	80	8×12
	6.8	96	8×12
	10	206	8×12
	15	250	10×16
200 (250) 2D	22	400	10×20
	3.3	75	8×12
	4.7	95	8×12
	6.8	102	8×16
	10	210	10×16
	22	400	10×20
	33	450	10×20
250 (300) 2E	47	610	13×25
	100	800	16×31.5
	2.2	70	8×12
	3.3	75	8×12
	4.7	95	8×16
	6.8	102	8×16
	10	210	10×16
	22	400	10×20
	33	500	13×25
350 (400) 2V	47	620	16×25
	68	720	16×25
	100	880	18×31.5
	2.2	63	8×12
	3.3	80	10×12
	4.7	100	10×16
	5.6	115	10×16
	6.8	142	10×20
400 (450) 2G	8.2	160	10×20
	10	230	10×20
	22	410	13×20
	33	530	16×25
	1	58	8×12
	2.2	78	8×16
	3.3	90	10×16
	4.7	108	10×16
	5.6	115	10×20
450 (500) 2W	6.8	155	10×20
	10	230	13×20
	22	450	16×25
	33	500	16×31.5
	47	670	18×31.5
	1.0	72	10×12
	2.2	86	10×16
	3.3	95	10×16
	4.7	110	10×20
5.6	115	10×20	
450 (500) 2W	6.8	195	13×20
	10	250	13×20
	22	450	16×25
	33	560	16×31.5
	47	700	18×31.5